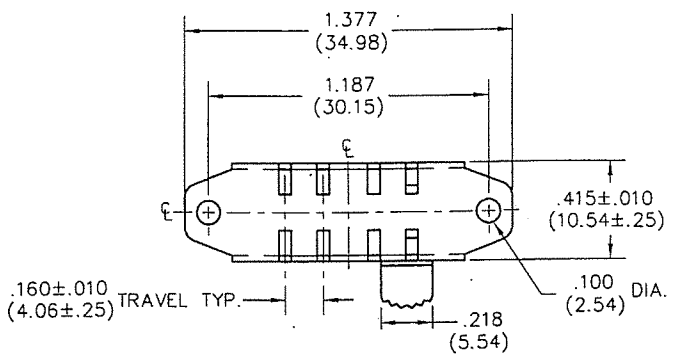


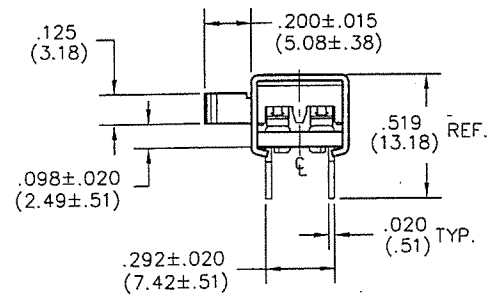
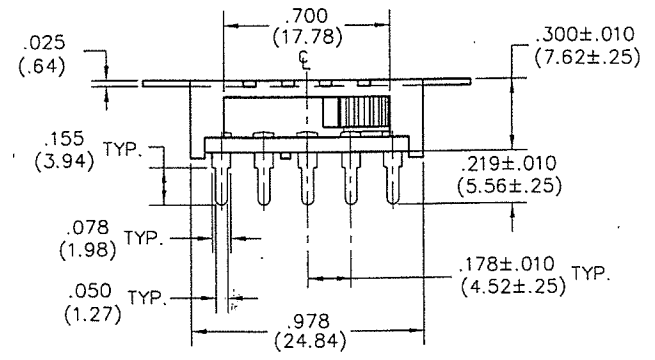
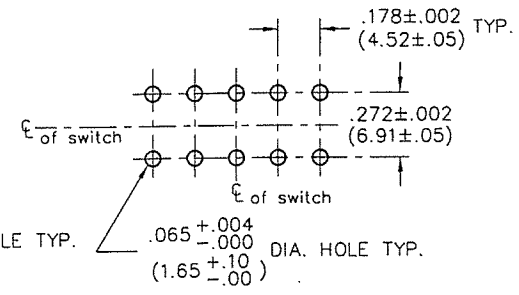
DIMENSIONS IN INCHES (MILLIMETERS)
DO NOT SCALE DRAWING

Dwg. No.
GI-159-0001

E
D
C
B
A



P.C. LAYOUT



1 2 3 4 5 6 7 8 9 10

FORM-B4

REVISIONS	0
RELEASED	11-14-2000
DWG	

ATTENTION

THIS DRAWING AND ITS ATTACHMENT, IF ANY, ARE PROPRIETARY TO CW INDUSTRIES AND DESCRIBE DESIGNS THAT ARE CONFIDENTIAL AND MUST NOT BE DISCLOSED UNLESS AUTHORIZED, IN WRITING, BY AN OFFICER OF CW INDUSTRIES.....

CW INDUSTRIES Southampton, Pa. 18966	
TOLERANCES UNLESS OTHERWISE SPECIFIED	
2 Place Decimal ±.010	METRIC
3 Place Decimal ±.005	1 Place Dec. ±.25mm
Angles ±1'	2 Place Dec. ±.13mm
Made for: CW IND.	
Drawn by: DGW 11-14-2000	
Checked by: <i>G. Guld</i> 11-21-00	
Approval: <i>[Signature]</i>	

Title:	SWIDGET ASSEMBLY SYDEWYNDER D.P. 4 POS.
Division:	SWITCH
Dwg. No.	GI-159-0001